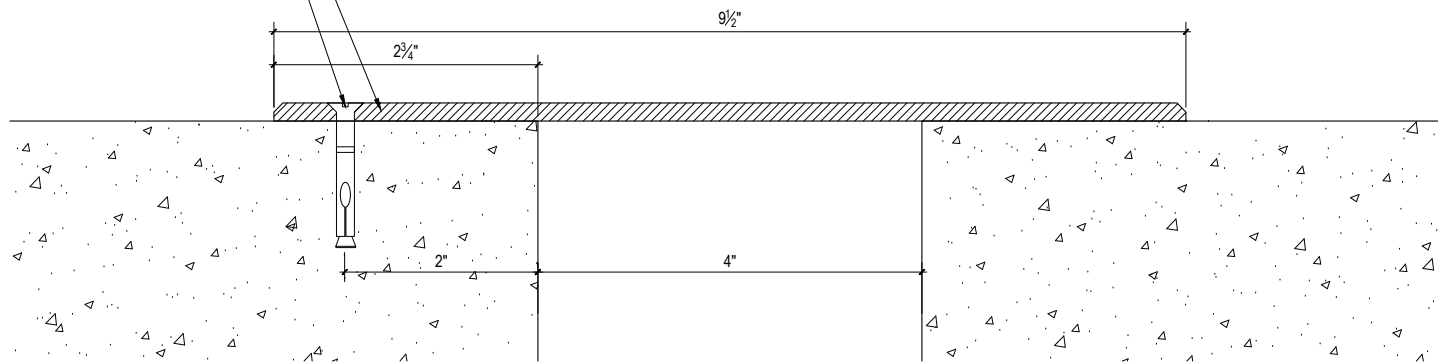


3/16" THK. ALUM. COVER PLATE, MILL FINISH
(6061-T6)

1/4" DIA F.H. CONC. ANCHORS, BY INSTALLERS



M.H. POWELL & CO., INC.
ARCHITECTURAL SEISMIC EXPANSION JOINT SYSTEMS

2313 YATES AVENUE | PHONE : (323) 887-0037
COMMERCE, CA 90040 | FAX : (323) 887-0877
WEB : www.mhpowell.net

MODEL
P-4

FLOOR TO FLOOR EJC

PROJECT : _____ PROJECT # : _____
LOCATION : _____ DATE : _____
ARCHITECT : _____
CUSTOMER : _____

PAGE #